

# LUNA SURFACE

3.5" Surface Mount, 4200 Lumens, 7~48 Watts,  
Color Selectable, 120-277V, TRIAC/ELV/0-10V  
Recessed Downlighting

Job Information		
Project Name		Type
Location		
Quantity		Date
Contact/Phone		
Notes		

## Features

### Body

Constructed of 22ga steel painted in black or white. The housing is supplied with a driver plate and safety cable that allow for a simple and secure installation.

### LED Characteristics

This general application light fixture features an LED module that maintains uniform intensity producing up to 1400 lumens per head; with a typical CRI of 94. On-fixture color selectable switch allows switching between 2700 K, 3000 K, 3500 K, 4000 K and 5000 K color temperatures.

### Dimming

100%-1% dimming capability. This fixture is compatible with industry standard forward-phase / reverse-phase, TRIAC/ELV and 0-10V dimmers (contact factory for list of compatible dimmers).

### Beam Spread

38° beam spread per head.

### Mounting

A universal mounting bracket is

included to attach to any 4" octagonal electrical box. The frame attached to the mounting bracket and secured with a set screw.

NOTE: Support screws are required for 2- and 3-head options – see instructions.

### LED Driver

Internally mounted driver(s) with 7 Watt, 9 Watt, 12 Watt or 16 Watt dimmable class II electronic LED driver with 120-277V AC input. Includes FT6 rated cable with DC 2.1 connector between driver(s) and fixture.

### Quick Connect push-in terminals

Three "Quick Connect" push-in terminals for fast and easy wiring.

### Operating Temperature

-20°C~40°C (-4°F~104°F)

### Environment

- Indoor / Outdoor
- Fire-rated when used in a steel octagonal box.
- Suitable for wet locations.\*

SPECIFICATION	
Application	Ceiling Surface Mount
Approved Location	Wet*
Beam Angle	38° (per head)
CCT (color selectable)	2700 K / 3000 K / 3500 K / 4000 K / 5000 K
Certification	cETLus
Class II	Yes
Color	BK / WH
CRI	94
Dimming	Yes
Dimming Tech	Forward/reverse-phase TRIAC/ELV/0-10V
Energy Star	Yes
Hole Cut	Ø 3 5/8" (92mm)
Input	100-277V AC, 50 / 60Hz
Lumens	Up to 1400 (per head)
Lumens per Watt	Up to 95 (per head)
Power Factor	0.98
Projected Life	70% @ 50,000 hrs
Warranty	Lifetime
Wattage	7W/9W/12W/16W (per head)

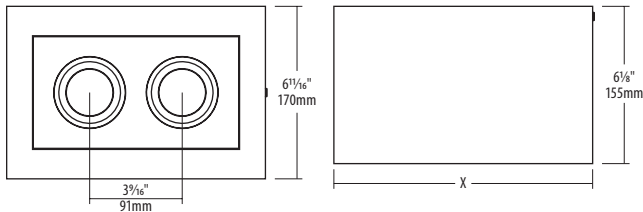
\* For product to be wet location, gap between housing and ceiling needs to be sealed with an outdoor rated silicone sealant.



## Description

Architectural-grade surface mount LED downlight housing for medium to high ceilings. Combines energy efficiency with powerful lumen output. Perfect for installation onto an octagonal junction box in condos and offices.

## Technical Drawings



	X	1 Light	2 Light	3 Light
Inch		6 1/16	10 1/16	13 1/16
mm		170	255	347



## Ordering Guide

Heads	Wattage <sup>1</sup>	Style	Driver	Color Temperature	Finish	Rod Length
<b>RA35M</b> -						
<b>1S</b> : 1-Head Surface <b>2S</b> : 2-Head Surface <b>3S</b> : 3-Head Surface <b>1P</b> : 1-Head Pendant <b>2P</b> : 2-Head Pendant <b>3P</b> : 3-Head Pendant	<b>7</b> : 7 Watt <sup>2</sup> <b>9</b> : 9 Watt <b>12</b> : 12 Watt <b>16</b> : 16 Watt	<b>F</b> : Fixed <b>G</b> : Gimbal <b>RG</b> : Regressed Gimbal	<b>T</b> : 120V, TRIAC/ELV, Standard <b>P</b> : 120-277V, 0-10V <b>C</b> : 120-347V, 0-10V <sup>3</sup> <b>E</b> : Lutron Hi-Lume 1% EcoSystem w/Soft-on, Fade-to-Black <b>M</b> : 120-277V, 0-10V Emergency Backup <sup>3</sup> <b>D</b> : DALI, 120-277V Input <b>X</b> : DMX, 120-277V Input <b>A</b> : Lutron Athena Wireless Node RF only (AWNRF) <b>L</b> : Leviton Intellect Wireless Controller	<b>C</b> : 2700 K - 5000 K Color Selectable <b>D</b> : Dim-to-Warm 3000 K - 2000 K <sup>4,5</sup>	<b>W</b> : White <b>B</b> : Black	<b>12</b> : 12" <b>18</b> : 18" <b>24</b> : 24" <b>36</b> : 36" <b>48</b> : 48" <b>CU</b> : Custom

**Notes:**  
<sup>1</sup>Per head. <sup>2</sup>7W Wattage not compatible with P,C,M drivers. <sup>3</sup>C and M driver options require remote mounting. <sup>4</sup>Dim-to-Warm Color Temperature only available in 12W when using 1S/1P Head option.  
<sup>5</sup>Dim-to-Warm Color Temperature only available in 9W when using 2S/2P and 3S/3P Head options.  
 QuickShip option is available on orders of 100 pieces or less. QuickShip lead time may vary for orders greater than 100 pieces. No additional shipment rates apply. Subject to availability.  
 For additional options please consult your Liteline representative. Due to our continued efforts to improve our products, product specifications are subject to change without notice.

## Lumen Output Chart

LUMEN OUTPUT												
CCT	1 Light				2 Light				3 Light			
	7W	9W	12W	16W	14W	18W	24W	32W	21W	27W	36W	48W
2700 K	630	740	1000	1240	1270	1490	2010	2480	1910	2230	3020	3720
3000 K	660	770	1050	1320	1330	1540	2100	2640	2000	2310	3160	3960
3500 K	710	830	1120	1390	1420	1660	2250	2780	2140	2490	3370	4170
4000 K	720	830	1130	1340	1430	1670	2260	2790	2150	2510	3390	4190
5000 K	700	810	1090	1330	1390	1630	2190	2670	2090	2450	3290	4000

## Accessories



### LC-CRTL-3WAY-1

OnCloud Smart Wi-Fi 3-Way Switch, compatible with WIZ App.

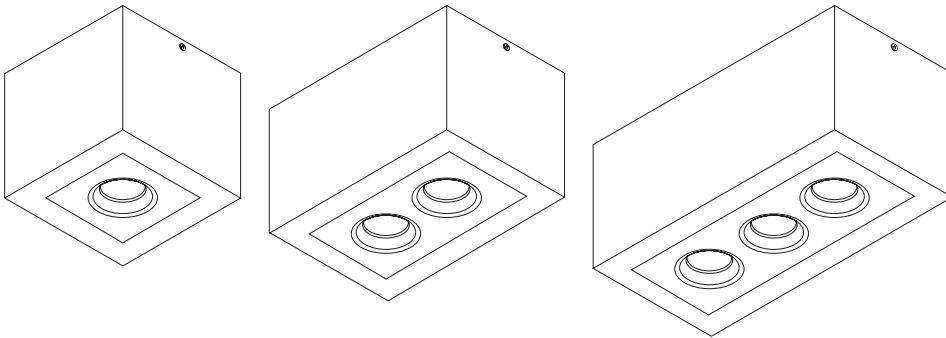


### LC-CRTL-DIM-1

OnCloud Smart Wi-Fi dimmer, 120V, compatible with WIZ App.

## Mounting Options

### Surface Mount



### Pendant

