



ALUMINUM FLUORO BAR SYSTEM

T4 FLUORESCENT 2-WIRE
UNDERCABINET LIGHTING

ALFT4-8-3200



PROJECT
FIXTURE TYPE
MODEL
LAMP
CONTACT/TELEPHONE

Specifications

Description

Durable extruded aluminum fixture with shatter guard clear lens, in white enamel body only. ALFT4-8-3200 comes with on/off switch on body. Complete with a 6 ft. power cord with plug, mounting hardware, link connector, and a 3200K 8W fluorescent bulb.

Lamp Wattage / Type

- T4 Replaceable Fluorescent lamp
- 8 Watts
- CRI: 82+
- Colour temperature: 3200K (Warm White)
- Lamps are rated for average 10,000 hrs

Features

- Built-in Silent Electronic Ballast
- Efficient T4 Fluorescent Light Source
- Flicker free start up
- Light weight
- Seven available lengths
- Polycarbonate clear lens reflector
- Linkable
- Can be hardwired (using ALFT6300)

Housing

Durable extruded aluminum fixture in white paint enamel body only.

Mounting

Hardware provided for mounting fixture either to standard horizontal surface or to vertical wall surface.

Ballast: Built-in Silent Electronic Ballast, AC 120V -50-60 Hz

Dimmable: Not Dimmable

Input: 120V AC, 50-60Hz

Optional Accessories

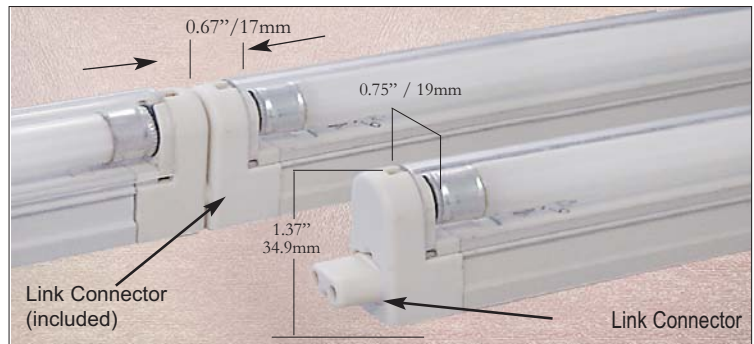
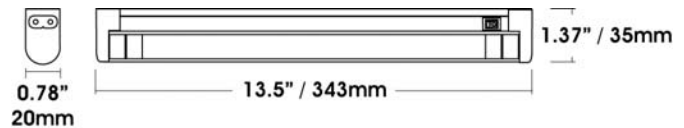
- ALFT6300-WH - A hardwire box
- Flexible wire connectors, available in various lengths
 - FBT6106 - 6" Connector Cable
 - FBT6100 - 12" Connector Cable
 - FBT6124 - 24" Connector Cable
 - FBT6136 - 36" Connector Cable
- Replacement lamp - T4-8W32



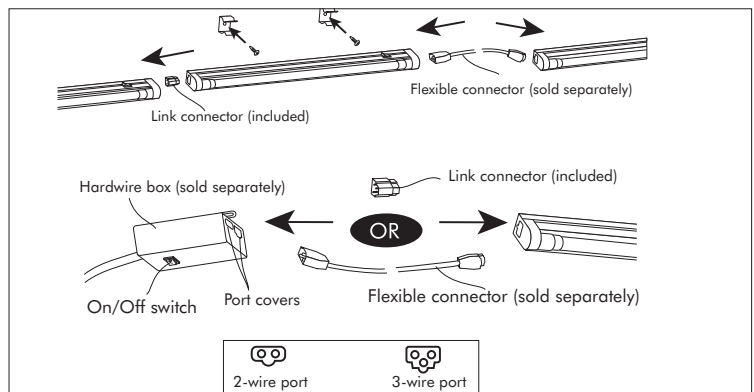
Dimensions & Ordering Guide

MODEL NO.	Lumens
ALFT4-8-3200	440

Dimensions



Linkable with a link connector



Linkable

T4 Linkable Fluorescent Fixtures

Up to 8 units can be linked together, not to exceed 200W max.

With Ordering Guide, replace 4100K with 3200K where necessary.
e.g. For 3200K, (ALFT4-6-3200)

Product specifications subject to change without notice.

Listings



LITELINE CORPORATION

8 Abacus Road, Brampton, Ontario, Canada L6T 5B7
Tel: 416-996-1856 • Fax: 905-794-1990 / 1-888-738-9736
E-mail: sales@liteline.com • Website: www.liteline.com